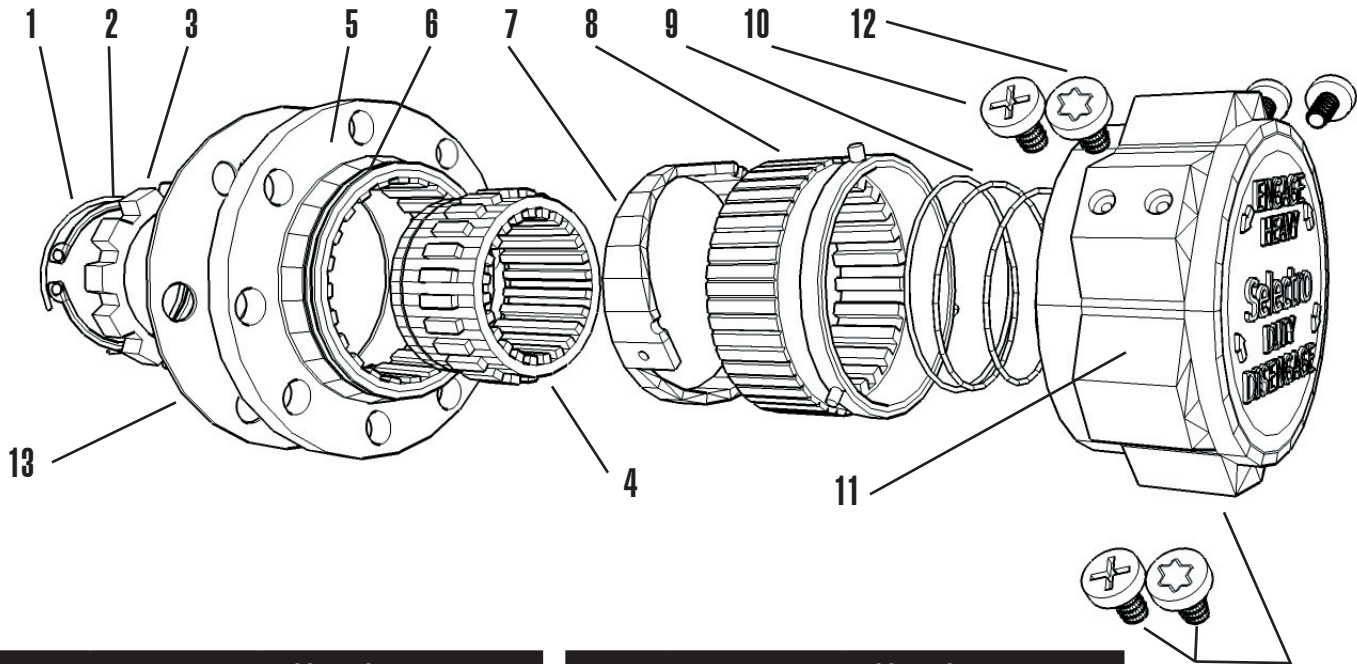


MILE MARKER

ABUSED WORLD WIDE

SELECTRO LOCK-OUT HUB PART NUMBER: 11017-01



ITEM	PN:	DESCRIPTION
1	105.04	SNAP RING
2	501.105.11	RETAINING RING SPIROLOX
3	102.09IH	BUSHING ASSY
4	517.104.11	AXLE GEAR 17, 21
5	1.101.69	BASE 01017
6	25.110.11	O-RING
7	501.107.52TF	CAM ASSY

ITEM	PN:	DESCRIPTION
8	504.104.52	SLIDE GEAR, GROUP 1
9	501.109.10	SPRING, GROUP 1
10	123.13	PHILIP HEAD SCREWS
11	501.118.74TF	SELECTRO HANDLE, GROUP 1
12	123.22	TORX HEAD SCREW
13	11034-01.90	GASKET

Specifications

Bolt Circle: 3.968"
Number of Bolts: 8
Number of Splines: 21
Axle Outer Diameter: 1.375"

Installation:

1. Remove existing drive flange and it's fastenings including the retaining ring on the axle and the bolts. Clean the gasket surface to bare metal. Clean the splines and lubricate with light grease.
2. Remove the philips head screws and separate the handle from the base. Do not remove the 3 torx head screws. The slide gear, cam and spring remain attached to the handle by these screws.
3. Assemble base to vehicle. Use gasket or silicone to prevent oil leaks. Use previously removed fastenings to secure the base. Tighten to approx. 25ft. lbs. (3kgm). Replace the retaining ring that was removed in step 1 to secure the axle.
4. Replace the handle. Push handle on to base, gently compressing the spring. Align the screw holes with the grooves in the base and insert philips head screws. Make sure the screws enter the groove in the base properly. Do not force the screws.